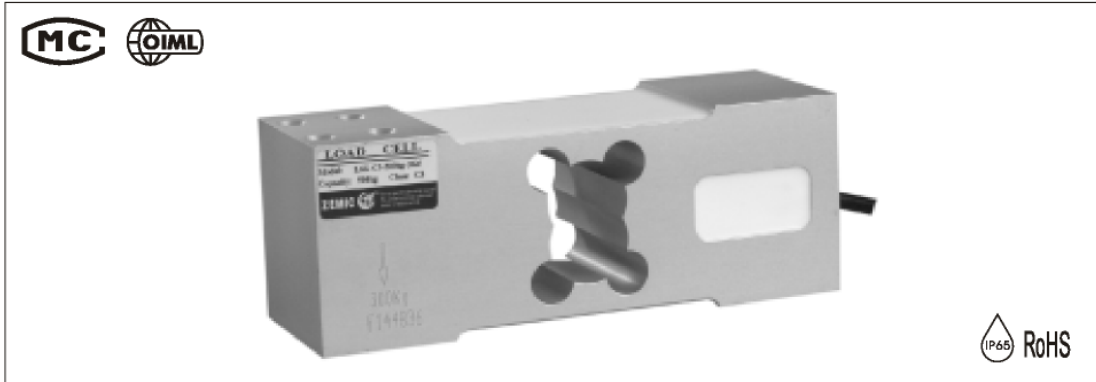


LOAD CELL L6G



- L6G load cells are available for manifold accurate measurement in the capacities 50kg to 600kg
- Aluminum construction, silicone adhesive sealed, surface anodized and anti-corrosion.
- Integral structure and easy installation.
- They are suitable for pricing scale, platform scale and other electronic weighing devices.

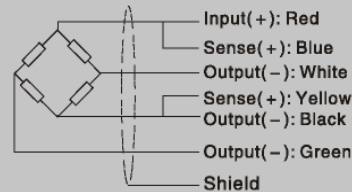
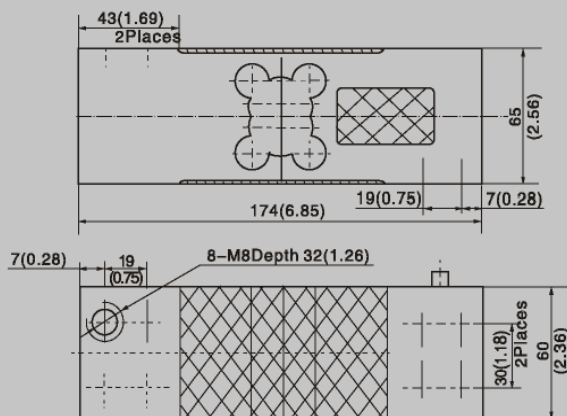
Important Features

- Capacities: 50kg~600kg.
- High accuracy.
- Aluminum parallel beam construction.
- Max. platform size: 600 × 600mm.
- Integral installation.
- With OIML approval: (PTB: D09-03.22).

Specifications

Capacity	kg	50/100/150/200/250/300/500/600		
Output Sensitivity	mv/v	2.0 ± 0.2		
Accuracy class		C3D	C3	C3G
Maximum number of verification intervals		2500	3000	4000
Minimum load cell verification interval	g	E _{max} /5000	E _{max} /7000	E _{max} /11000
Temperature effect on zero	%FS/10°C	0.0280	0.0200	0.0127
Temperature effect on sensitivity	+20°C~+40°C	0.0210	0.0175	0.0131
	-10°C~+20°C	0.0140	0.0117	0.0088
Combined error	%FS	0.0300	0.0200	0.0150
Creep	%FS	0.0200	0.0167	0.0125
Input resistance	Ω	406 ± 6/1065 ± 15		
Output resistance	Ω	350 ± 3/1000 ± 5		
Insulation resistance	MΩ	≥5000		
Zero balance	%FS	2		
Temperature, compensated	°C	-10 ~ +40		
Temperature, operating	°C	-20 ~ +50		
Excitation, Recommended	V	5-15		
Safe overload	%FS	150		
Ultimate overload	%FS	300		

Outline Dimension mm (inch)



• Dimensions and specifications are subject to change without notice.

Wiring:

- Adopt a shielded, 6 conductor cable, and cable jacket is PVC.
- Cable length: 3.0 ± 0.1m.
- Cable diameter: 6.0 ± 0.2mm.
- The shield is connected to the element.